

INSTRUCTION MANUAL

For N120 FTZ Adaptor ER 25 with Knob (for Z6III)

PN# 22225

FOREWORD

Thank you for your purchase of a NAUTICAM product.

At NAUTICAM, we pride ourselves in the ability to recognize the requirements of professional as well as amateur underwater photographers and fulfill them through the innovative designs of our products. We strive to achieve a high level of user-friendliness by allowing stress-free installation and easy operation of all important functions of the camera.

Each product is individually inspected and water pressure tested to ensure optimum quality.

Please read this manual carefully before using the product, this will maximize its performance as well as its lifetime.

PRECAUTIONS

Before installation of the port plus extension rings, please make sure the O-ring (s) are free from debris and uneven surface issues.

A water-tight/vacuum test without the camera inside the housing is highly recommended after the changing of port and O-ring(s).

Do not use lubricants from other brands with the silicone rubber O-ring on this housing, only use the lubricant provided by NAUTICAM.

Discontinue use immediately should you notice any leakage or if the moisture alarm activates.

Do not open the product in a wet or sandy environment. Protect the interior from moisture and debris in order to prevent malfunction or leakage.

Defective products should be shipped to our dealers for service, unauthorized disassembling and/or modifications could result in malfunction or leakage.

When carrying a housing setup with the port attached, always firmly hold both the housing and port.

Do not put the port with its contacts facing down.

Do not leave the products exposed to the sun or a bright light source. If circumstances necessitate leaving the lens in sunlight, be sure to attach the lens caps. Optical products such as lenses or dome ports can focus sunlight down to a small point which can damage nearby objects or start fires.

Avoid touching optical surfaces; only handle optical products by their edges/shell surfaces.

WARRANTY

All NAUTICAM Products are warranted against any material and manufacturing defects for two years from the date of purchase for consumer use. This warranty only applies to products purchased from authorized NAUTICAM dealers and does not extend beyond the original retail purchaser.

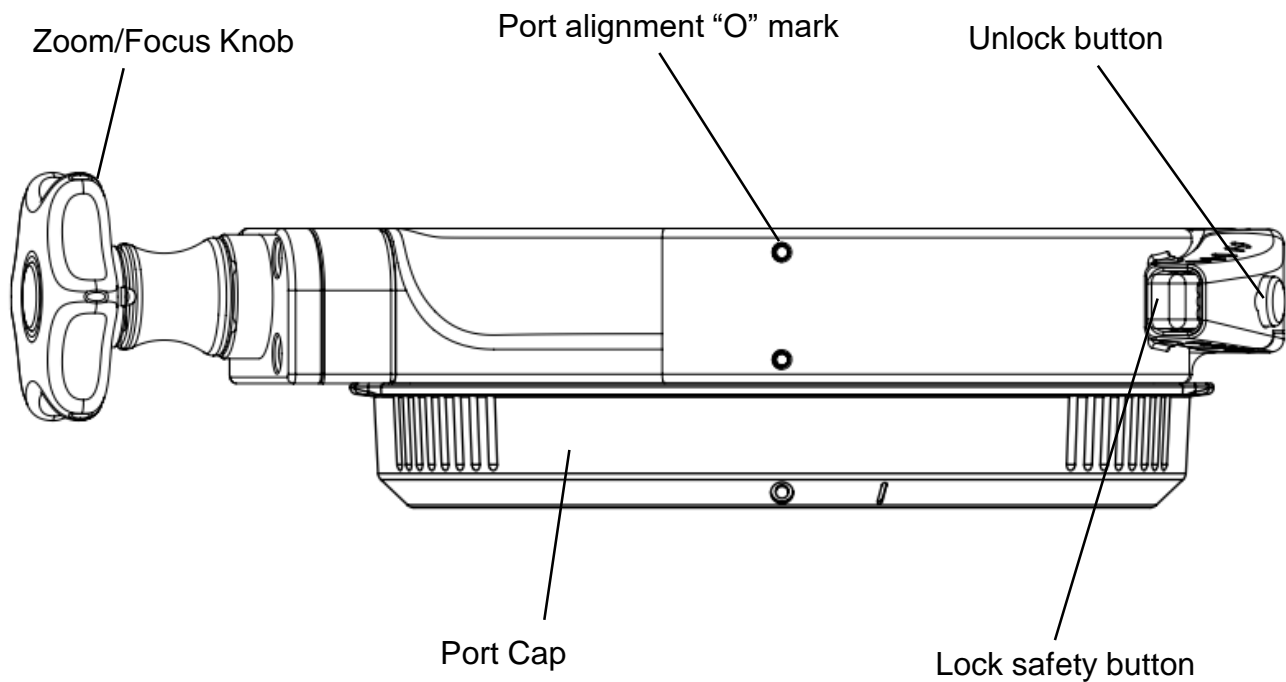
To return your product for service, please contact your regional authorized service center(s). Please note that this warranty only applies when the product is purchased in the territory where the service center is located.

NAUTICAM does not hold responsibility for damage, of any nature, to any equipment used with and/or placed within our products.

NAUTICAM accepts no liability for any loss of captured images or the inability to capture images even if it is due to the malfunctioning of our products.

Unauthorized modifications and/or repairs of our products will automatically invalidate the warranty.

IDENTIFICATION OF PARTS

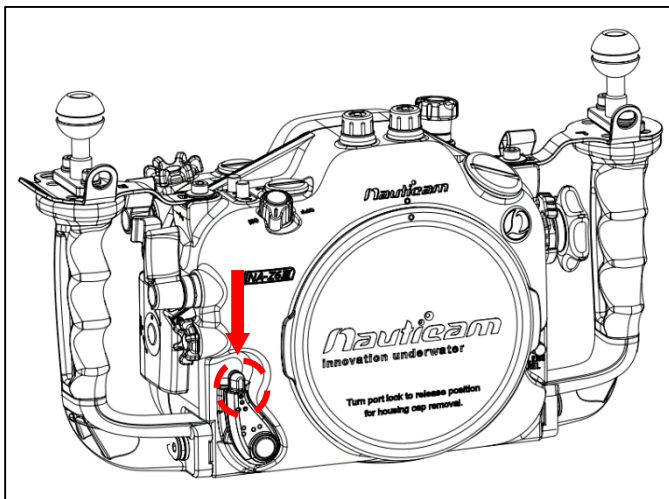


Preparation of the product

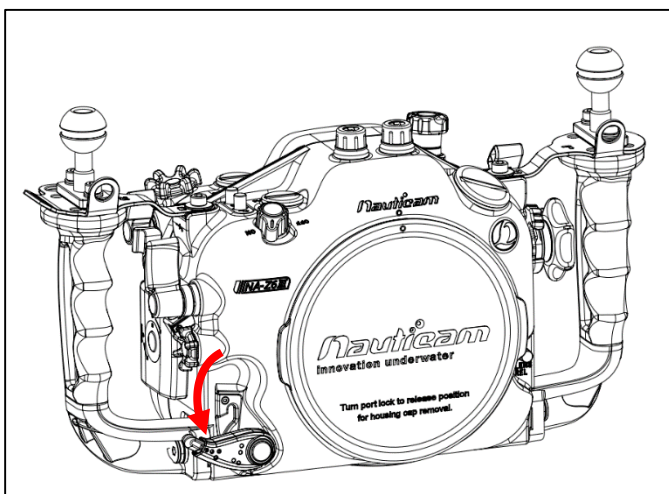
1. After verifying that the sealing O-ring is in good condition, lightly coat it with the lubricant provided and wipe away the excess.
2. Make sure the O-ring groove is free from any foreign material; the groove can be cleaned with the aid of a microfiber cloth.
3. Carefully place the port O-ring into the groove, ensuring that it lays flat and inside the entire groove
4. Inspect the O-ring again, make sure there is no foreign materials.
5. After installing the port, and closing the housing, lift up the entire system and inspect where the housing back and port meet the housing. There should be a thin, uniform gap with no extruded O-ring.

REMOVE HOUSING CAP

To remove housing cap

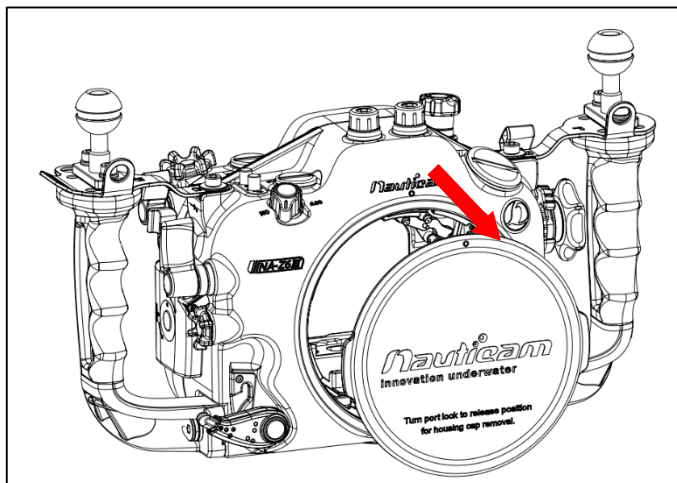


1. Gently push the safety button of housing port locking lever downwards.



2. Gently turn the port locking lever counterclockwise to the most outward position as shown until it cannot go any further.

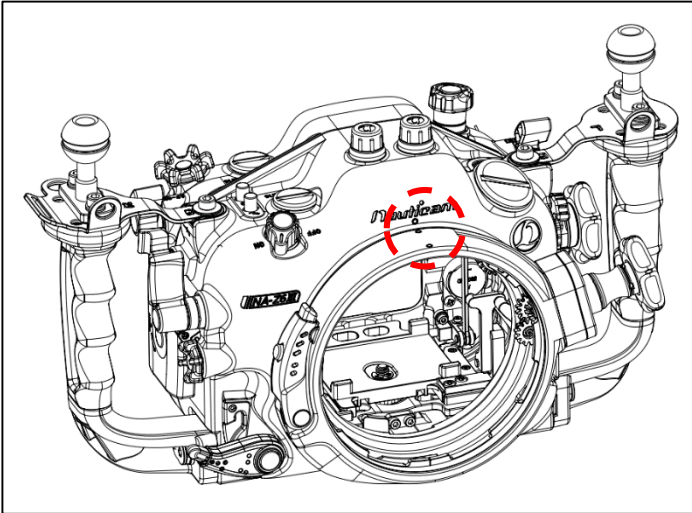
Reminder: please refrain from using excessive force to push the lever which may result in broken mechanism internally.



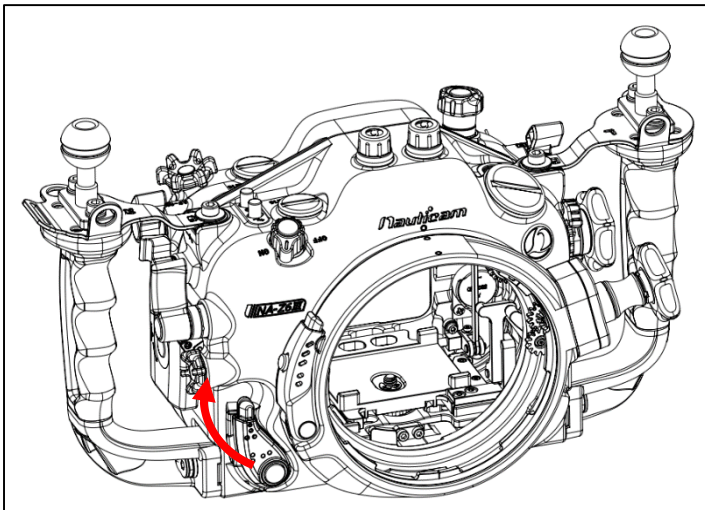
3. Lift the housing cap.

MOUNT ER25 TO HOUSING

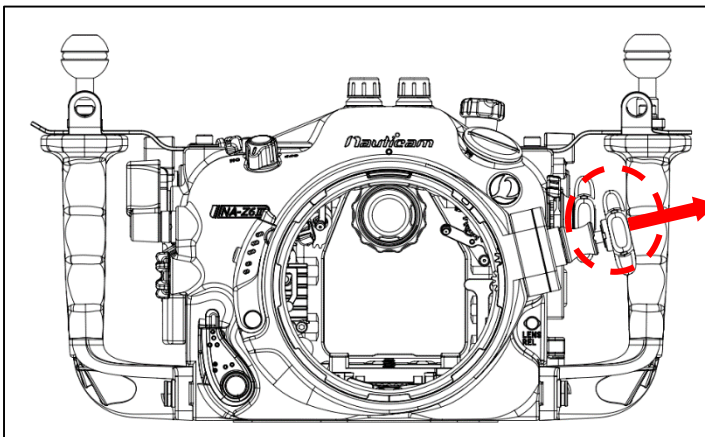
To install port adaptor



4. Prepare the sealing O-ring first as instructed on page 3, align the extension ring "o" mark with housing's, and push the product onto the housing gently.



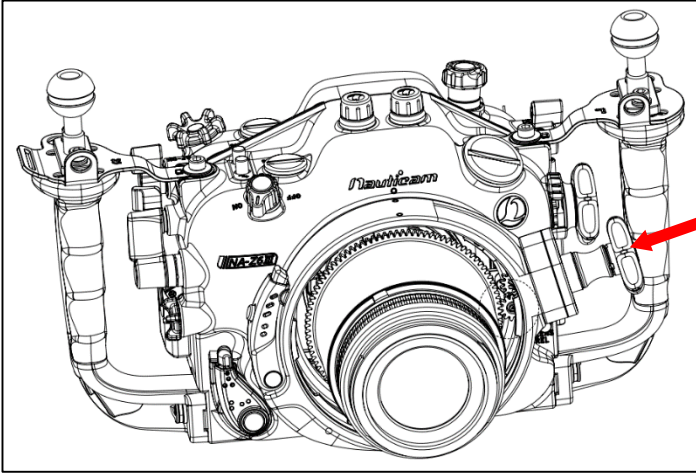
5. Lock the housing port locking lever into place by turning the lever to the inward lock position. It comes with a click sound indicating the extension ring is locked in position.



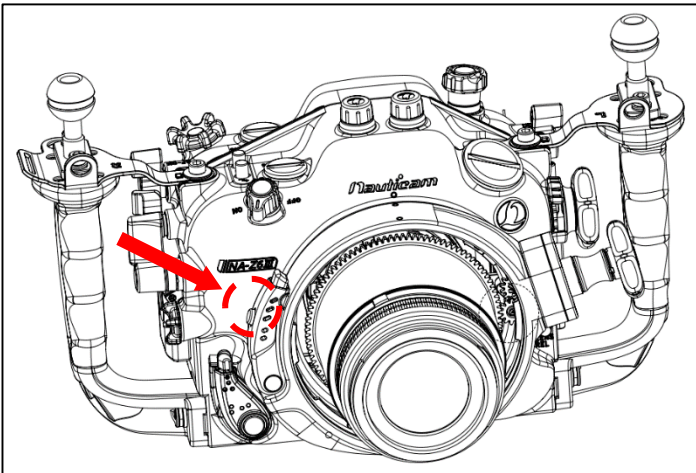
6. Mount the lens (with gears attached) on the camera.

ATTENTION: For port adaptor with zoom / focus knob, make sure that the knob on the adaptor is at its most outward position before mounting / dismantling the lens.

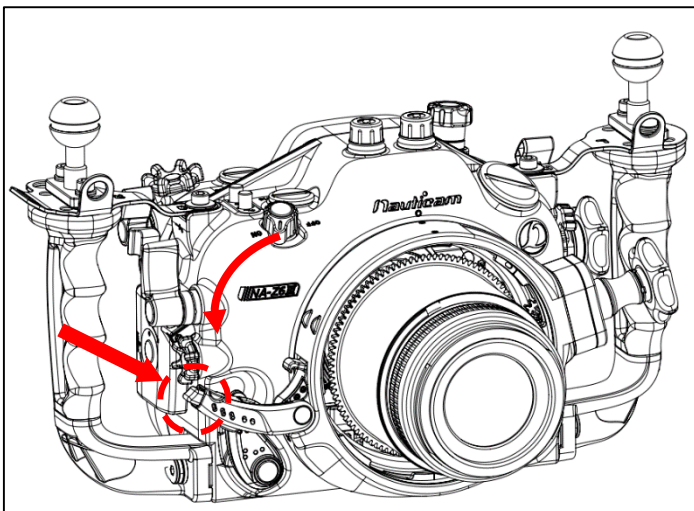
INSTALL PORT



1. After install lens and gear, engage the gear on the lens by pushing the knob inwards, then turn the knob both direction to check if the lens is functioning.

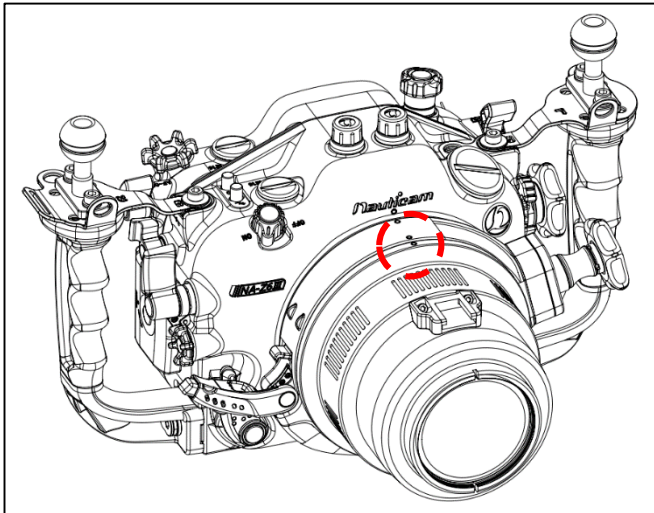


2. Press the extension ring unlock button.

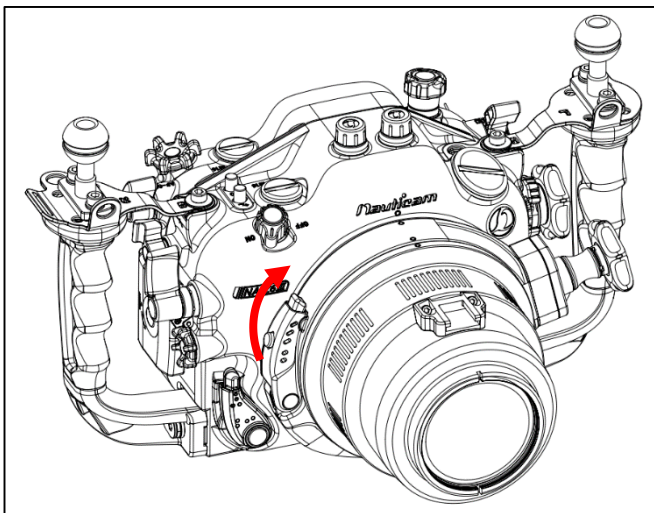


3. Then press the extension ring lock safety button and turn the locking lever to release position as shown.

INSTALL PORT



4. Align the alignment “O” mark of the extension ring and the port, gently push the port into the extension ring until it cannot go in any further.



5. Lock it into place by turning the locking lever to the inward lock position and when a “click” sound is heard.

SPECIFICATIONS

#22225 N120 FTZ Adaptor ER 25 with Knob (for Z6III)

Dimensions(mm):	DIA162.4x132.2x38.1
Extension length:	25 mm
Port Mount:	N120
Material:	Aluminum Alloy
Depth rating:	150m
Compatible Housing	NA-Z6III

Remark:

Nauticam supports only e-manuals. Please download corresponding product manuals on google drive <https://bit.ly/Nauticammanual>, or contact us for e-manuals.

CARE AND MAINTENANCE

- Soak the housing system in fresh water after each use, during which all control buttons/knobs should be operated a few times to avoid the accumulation of salt residue; wipe the housing with a towel before opening.
- After removing the housing from the rinse tank, carefully press the housing lock safety button a few times to avoid the accumulation of salt residue.
- After each day of diving, it is advisable to have both the housing main O-ring and port O-ring removed from their grooves with the O-ring remover and inspected for damage. Also check that the O-ring retains its original circular shape; never stretch the O-ring excessively or remove it with a sharp object. The O-ring groove should be cleaned to ensure it is free from any salt deposit or foreign material; lightly coat the O-ring with the provided lubricant before reinstalling it in the groove. A damaged O-ring should be discarded immediately and replaced only with one that is provided by NAUTICAM.
- Blow off dust with an air blower or clean antistatic brushes from optical surfaces.
- Remove dust and other foreign matter from the dome port cover/cap before attaching them.
- Use clean, lint free, and soft single-use paper based optics cleaning tissues/pads and avoid abrasive particle contamination of your cleaning supplies and cloths (e.g. by sand) (Dry and clean the dome surface with a microfiber cloth. / Do not use any kind of abrasive solutions to clean the dome surface.)
- When you've finished washing your optical product, wipe it gently with a microfiber cloth and allow to dry in the shade or a cool room.
- When you've finished washing your optical product, wipe it gently with a microfiber cloth and allow to dry in the shade or a cool room.
- Always store your optical product in the provided pouches or containers when not in use.
- Store the optical product in a dry and clean place.
- After rinsing the housing, be careful not to drip salt water on the dome port or housing if you are still wet from diving.

Please refer to "Nauticam Product Care and Maintenance Guide" for more details.